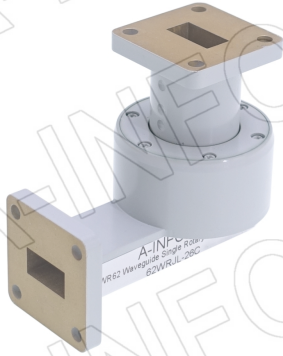


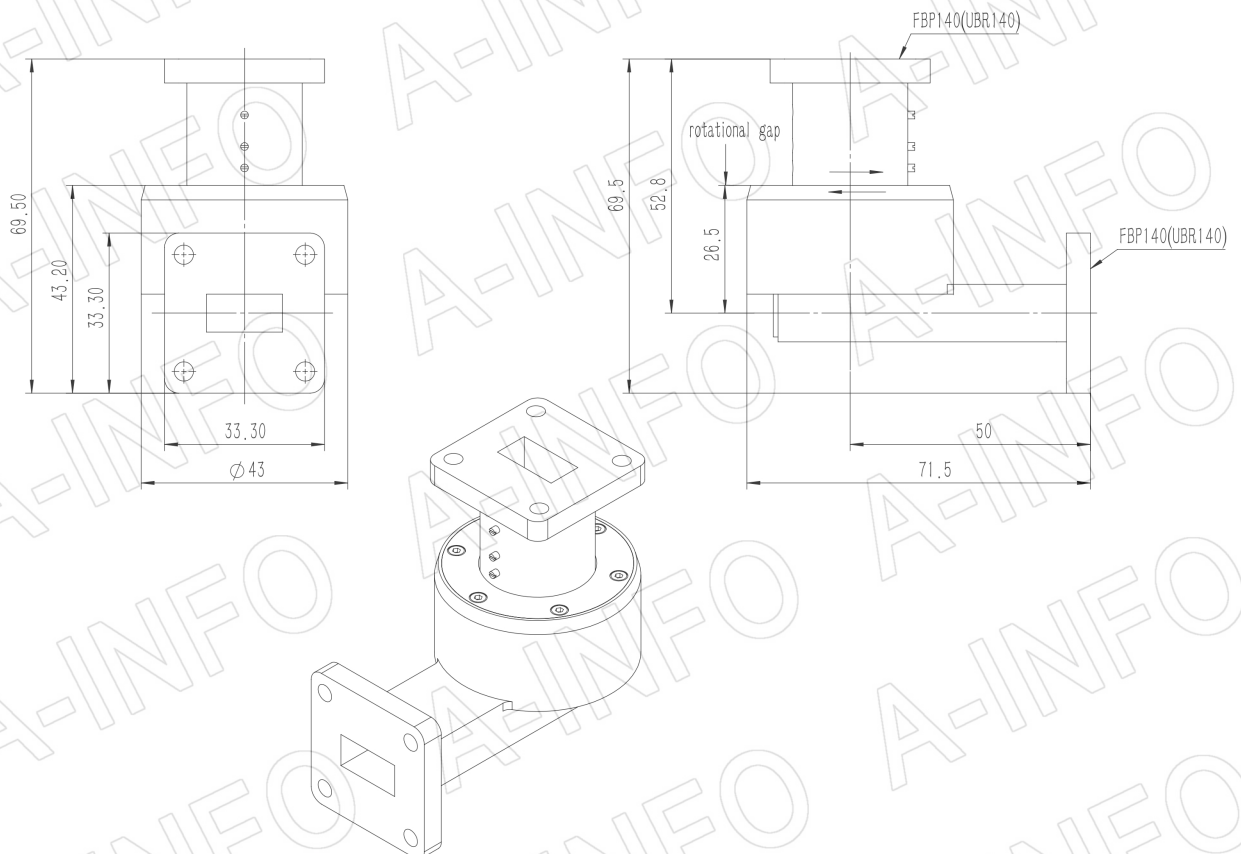
For reference only. See data sheet for the detailed specifications.

## Technical Specification

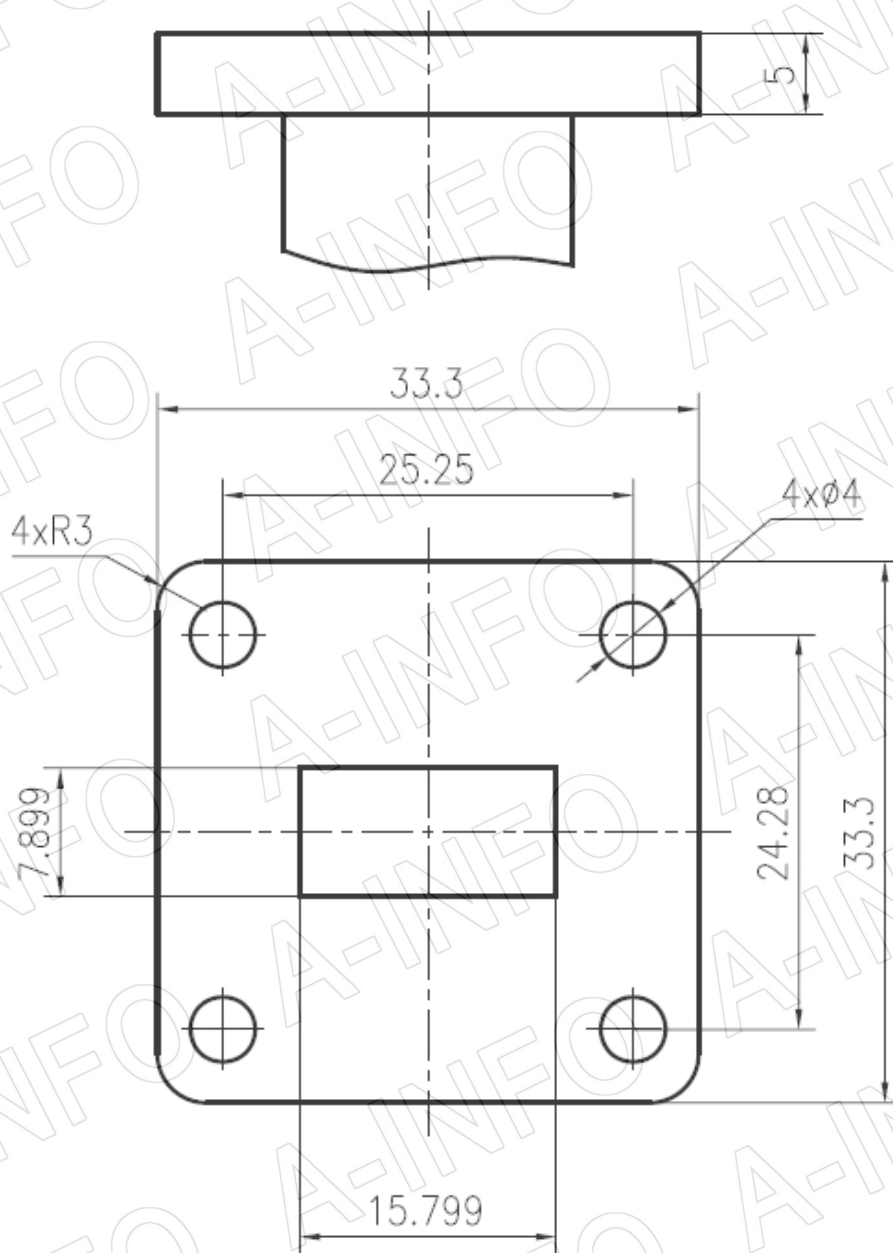


EIA WR	WR62
Frequency Range(GHz)	16.0 - 17.0
Insertion Loss(dB)	0.4 Max.
VSWR	1.5:1 Max.
Average Power(W)	100
Peak Power(KW)	4
Flange	FBP140(UBR140)
Material	Al
Size(mm)	71.5 x 43 x 69.5
Net Weight(Kg)	0.16 Around

## Outline Drawing (Size: mm)



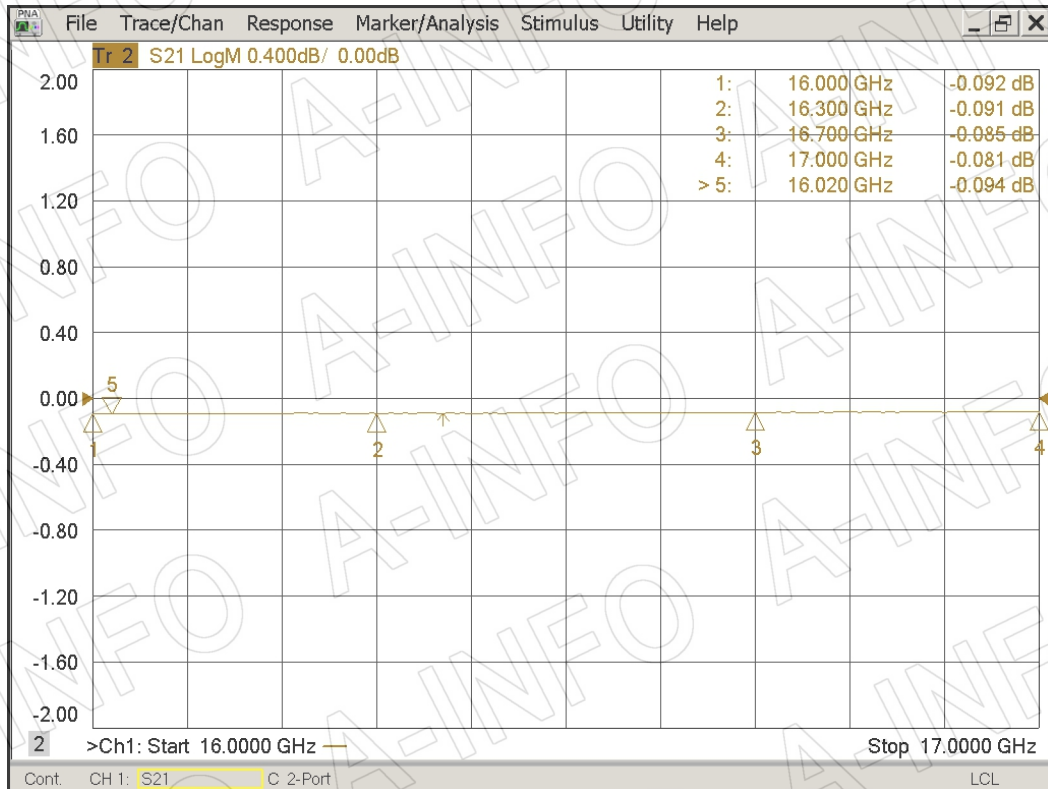
## Flange Drawing (Size: mm)



**FBP140**

## Test Results

### Insertion Loss



### VSWR

